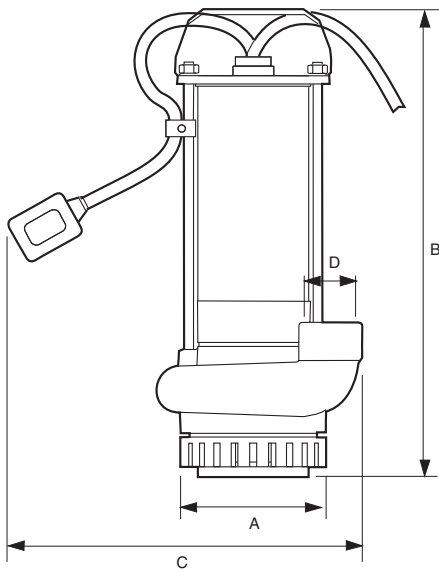
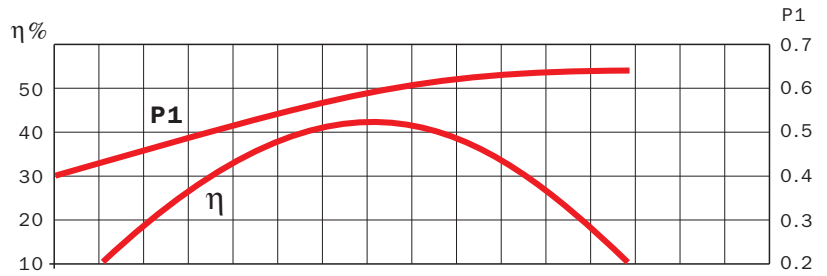
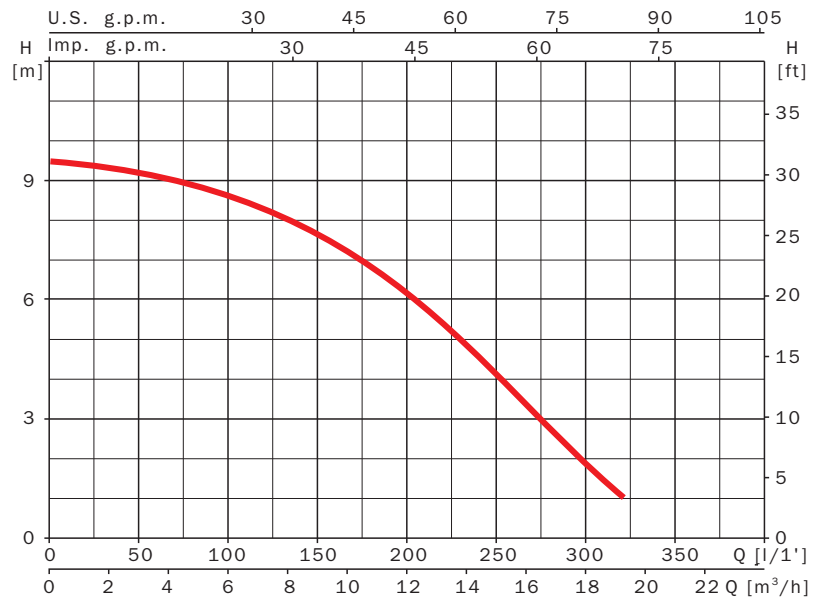


# Drain 100



	A	B	C	D	Kg
<b>Drain 100</b>	122	392	300	1 1/4"	10,5

Curvas de funcionamiento a 2900 r.p.m.  
Performance curves at 2900 r.p.m.



230 V 50 Hz	230/400 V 50 Hz	A			P1 (kW)		kW	HP	μF	l/min m³/h	25 1.5	50 3	100 6	150 9	200 12	250 15	300 18	320 19.2
		1~ 230 V	3~ 230 V 400 V		1~	3~												
<b>Drain 100M</b>		3.1			0.7		0.75	1	12		9.2	9.1	8.7	7.8	6	4	2	1
<b>Drain 100M A</b>		3.1			0.7		0.75	1	12		9.2	9.1	8.7	7.8	6	4	2	1